

# RRU LIGHT POLE MOUNT

ONLY FITS  
ERICSSON EQUIPMENT

## RRU LIGHT POLE MOUNT

is designed for installation of one RRU unit on mast, towers or other vertical structures.

### FLEXIBILITY

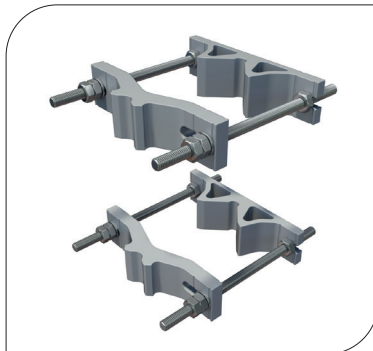
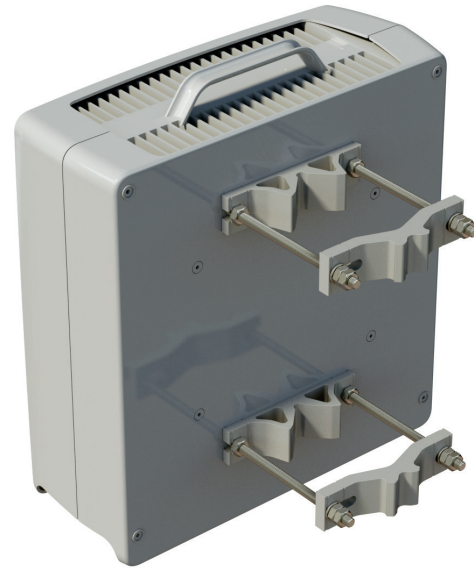
The support can be installed on a wide range of all common vertical structures such as round, square, angle etc.

### QUALITY

All components are made of anodized aluminum and acid proof stainless steel which gives the support excellent corrosion resistance.

### EASY ASSEMBLY

Handling and installation is very easy thanks to its light weight but also thanks to its clever design with elongated opening holes allowing the clamp to be opened and closed without any loose parts which rapidly speeds up the installation.



## ORDER AND TECHNICAL INFORMATION

DRAWING NO:	CD 990990			
FUNCTION DESCRIPTION:	RRU Light Pole Mount for installation on mast, tower or other vertical structures. Fits all common RRU:s in Ericsson RRU family and other units with horizontal distance c/c 146 mm (5 3/4") of the attachment points M10 on the back-side of the unit such as RBS, PBC, GPE etc.			
MECHANICAL DATA				
Link and tensioner profiles:	Aluminum, nature anodized 20µm			
Link plates and fasteners:	Acid proof stainless steel			
MOUNTING SPAN:	TUBES:	SQUARE PROFILES:	90° ANGLE:	60° ANGLE:
	○	□	∨	∨
Minimum	Ø25 mm (1,0 in)	35 x 35 (1,4 x 1,4 in)	35 x 35 (1,4 x 1,4 in)	40 mm (1,6 in) opening
Maximum	Ø120 mm (4,7 in)	90 x 90 mm (3,5 x 3,5 in)	90 x 90 mm (3,5 x 3,5 in)	100 mm (4,0 in) opening
PACKAGE DIMENSIONS	LENGTH	WIDTH	HEIGHT	WEIGHT
	375 mm (14,8 in)	95 mm (3,8 in)	47 mm (1,9 in)	2,0 kg (4,4 lb)